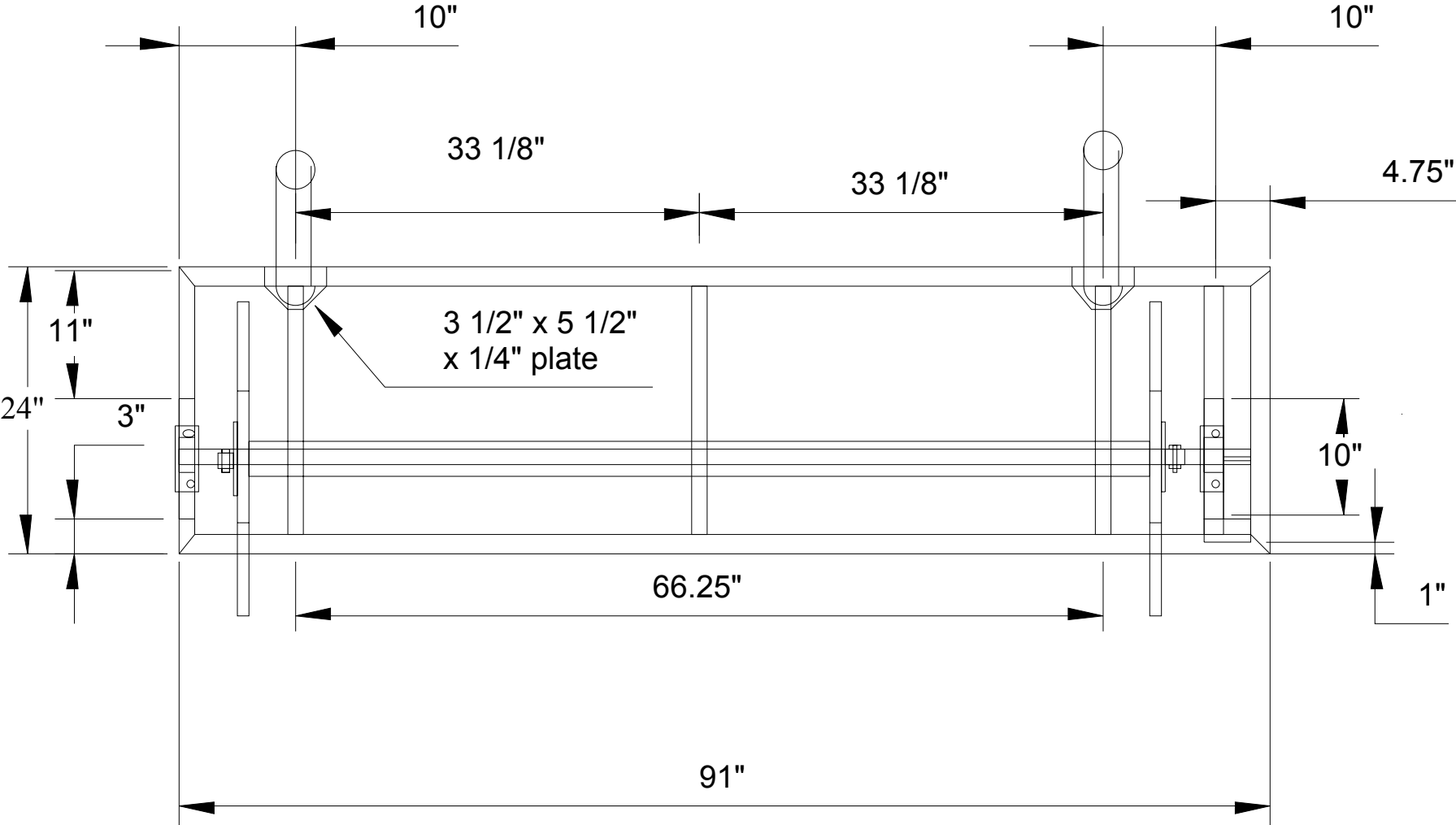


Reel System for Seine Boat

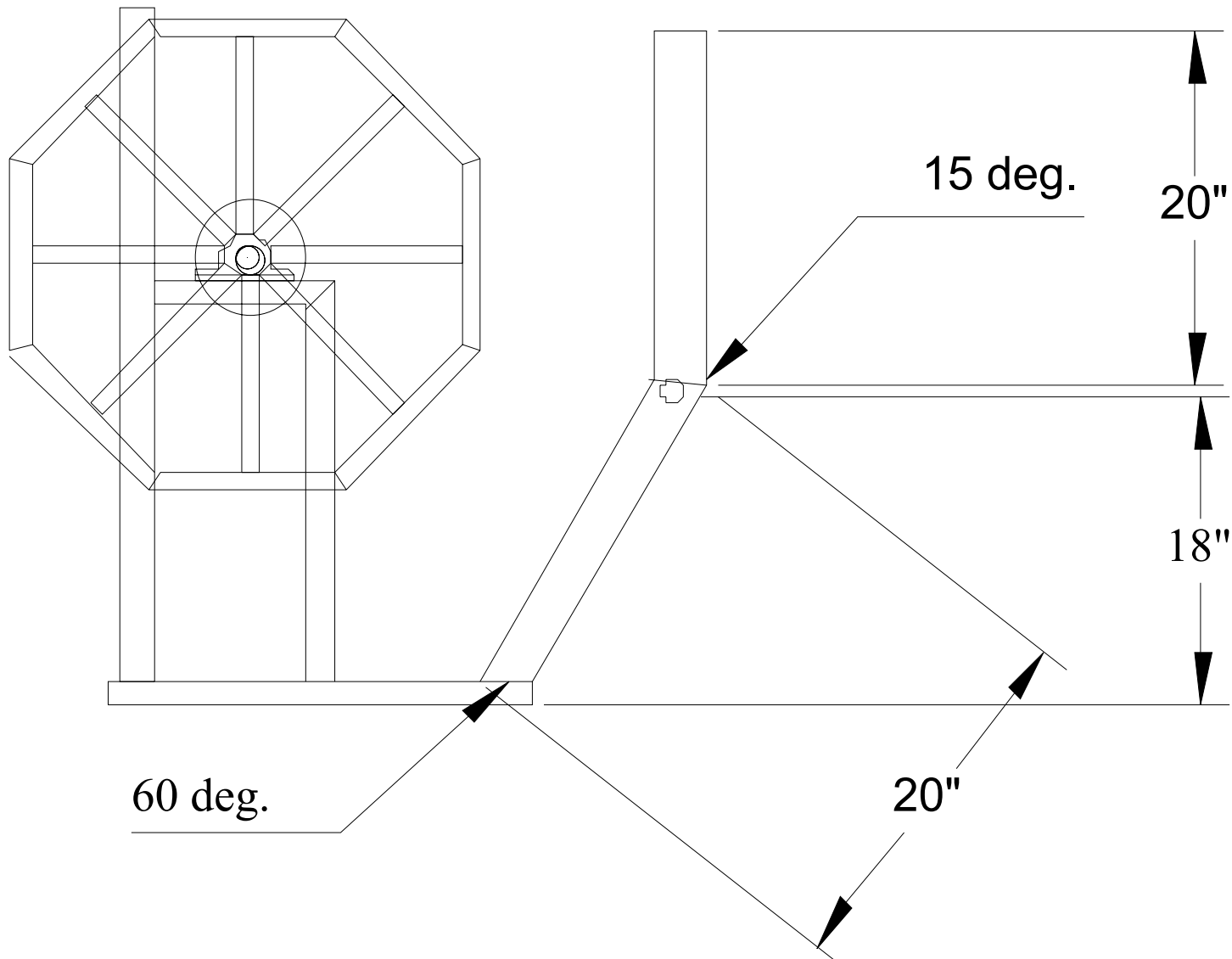


David Heikes Extension Aquaculture Specialist
Aquaculture/Fisheries Center
University of Arkansas at Pine Bluff

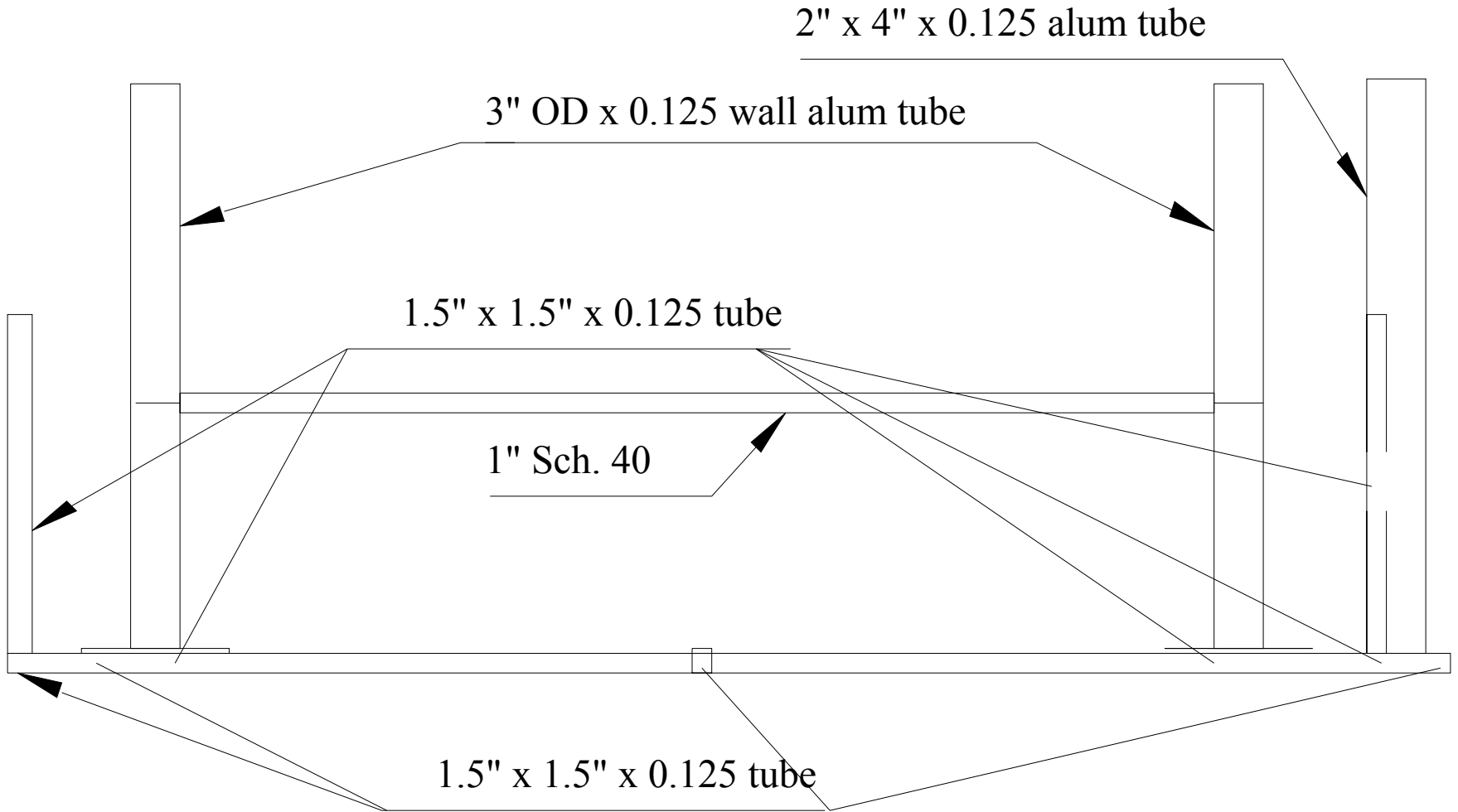
Reel System for Seine Boat – Top View



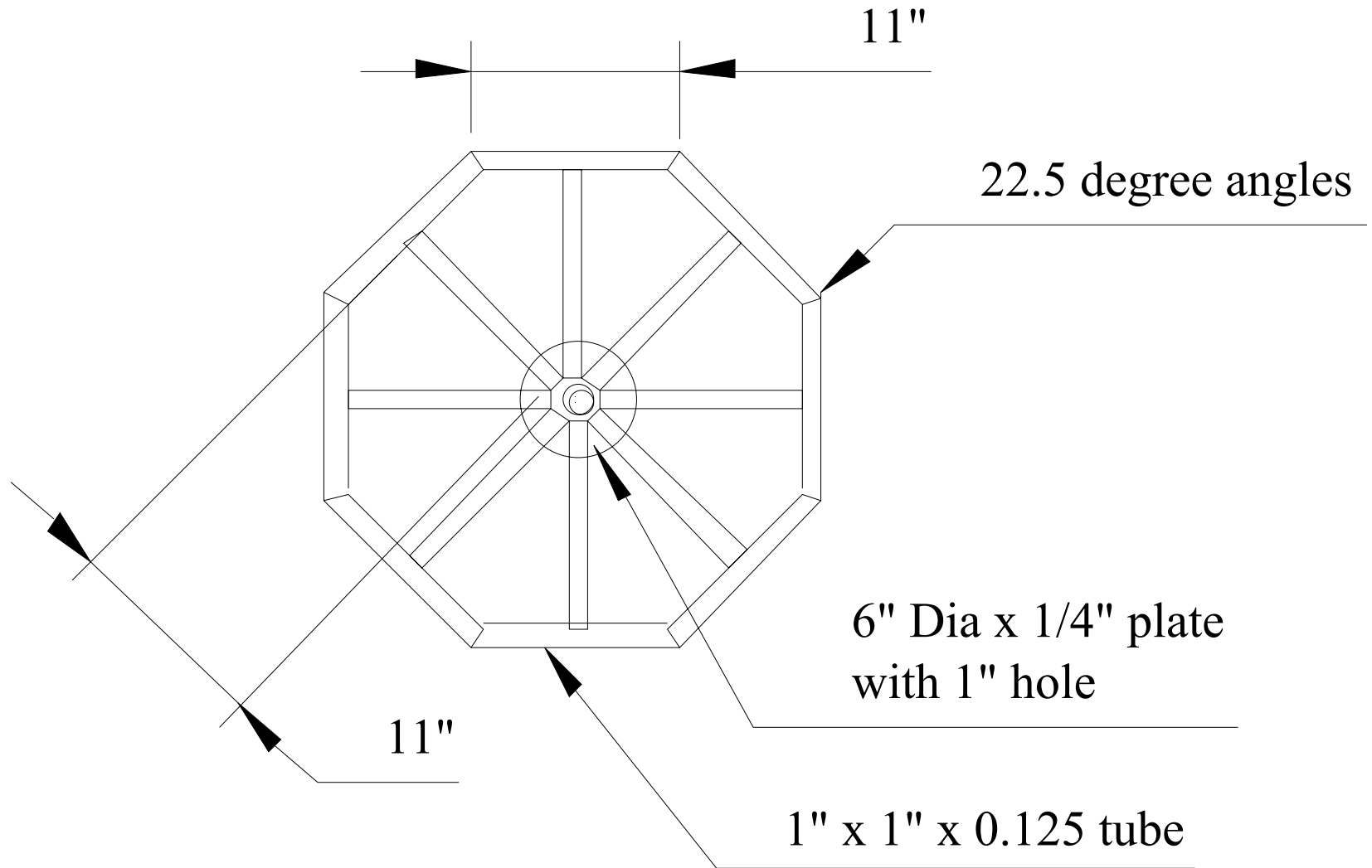
Reel System for Seine Boat – End View



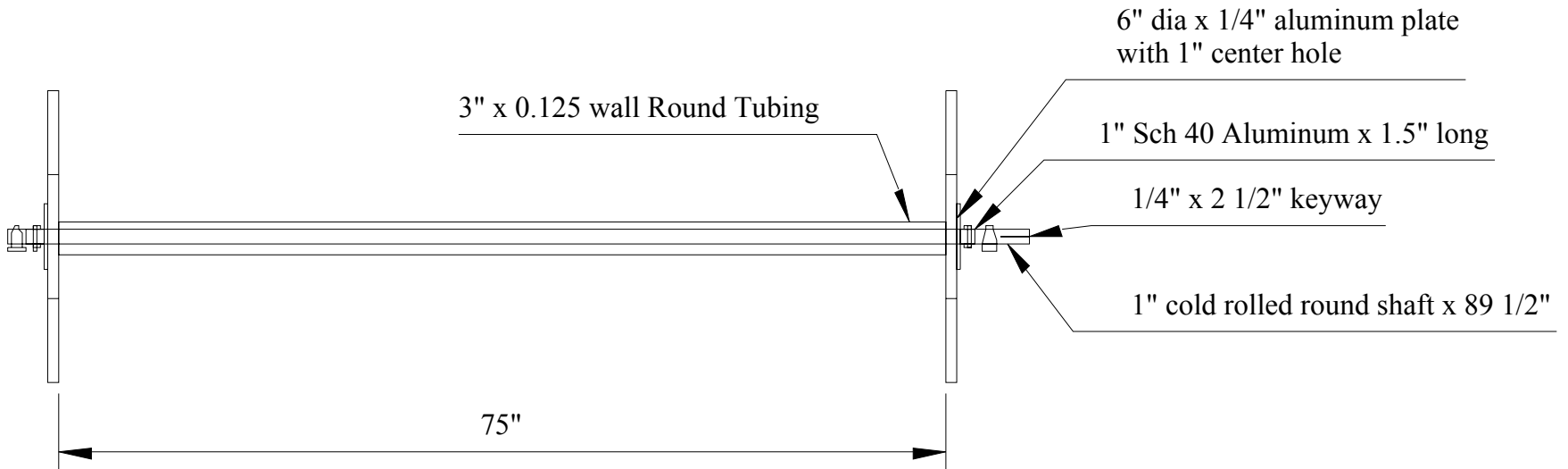
Reel System for Seine Boat – Side View



Reel System for Seine Boat – Spool Detail 1



Reel System for Seine Boat – Spool Detail 2





DEC 12 2002



DEC 12 2002

Reel System for Seine Boat

Quantity	Unit	Description	Cost/unit	Total
8	ft	1" OD cold roll carbon steel round rod	1.75	14
6	ft	3" OD x .188 (3/16) wall alum 6061-t6 cd tube	9.15	54.9
22	ft	1.5 x 1.5 x 0.125 alum tube 6063	1.96	43.12
14	ft	1.5 x 3.0 x 0.125 alum tube 6063	3.03	42.42
3	ft	2" x 4" x 0.125 alum tube 6063	4.56	13.68
32	ft	1" x 1" x 0.125 alum tube 6063	1.24	39.68
6	ft	1" sch 40 alum. Pipe	1.38	8.28
12	ea	6" x 0.25 alum. Bar 12'	4.26	51.12
Structural Materials Total				267.2
1	ea	40BS24 7/8" Bore Sprocket	25.15	25.15
1	ea	40BS48 1" Bore Sprocket	32.09	32.09
2	ea	P2BSC100 1" Pillow Block Bearing	36.39	72.78
5	ft	40 RIV Roller Chain	3	15
1	ea	1800 lb Fulton Boat Winch	50	50
4	ea	7/16 x 4 1/2" stainless bolts	0.25	1
4	ea	7/16 nylock nuts	0.25	1
3	ea	3/8 x 2 3/4" stainless bolts	0.25	0.75
2	ea	3/8" x 1 3/4" stainless bolts	0.25	0.5
5	ea	3/8 nylock nuts	0.25	1.25
10	ft	1/4" nylon rope	0.1	1
Materials and Hardware Total				467.72
Estimated Tax				35.08
Estimated Shipping Charges				30
Overall Total for Materials				\$532.80

This project was supported in part by
The Cooperative State Research, Education,
and Extension Service, USDA
Grant No. 00-38500-8992

